



Solid State Timers and Controllers

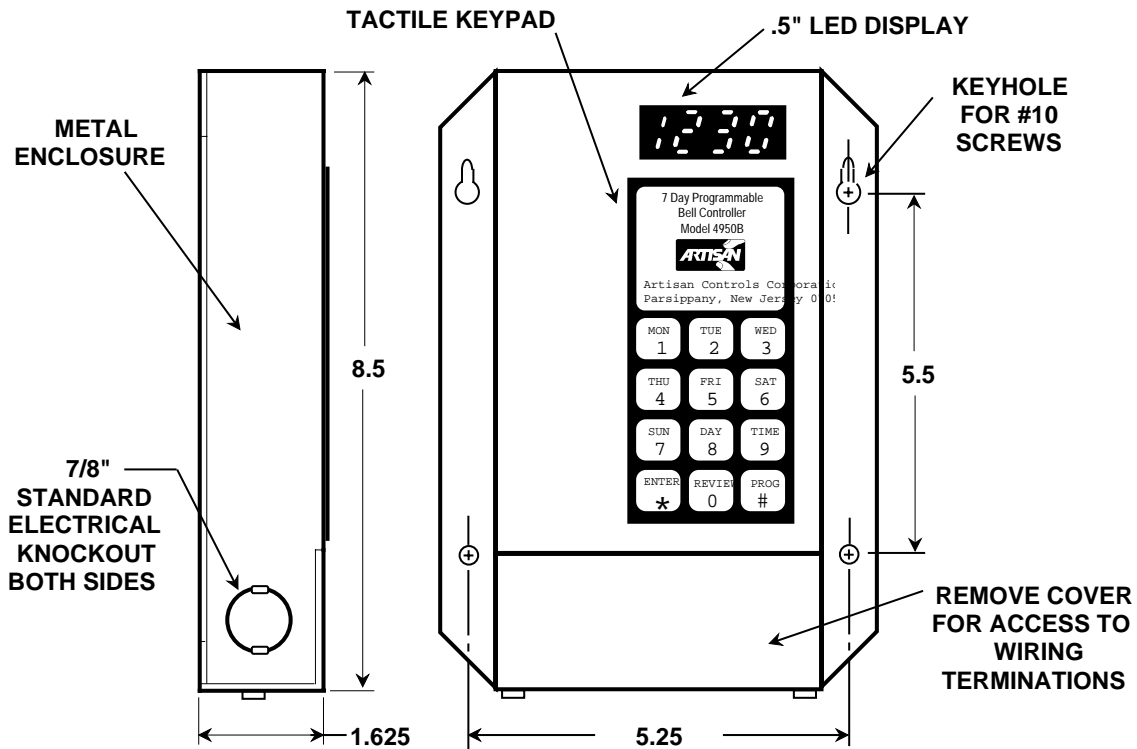
4950B

7 Day- Programmable Bell Controller

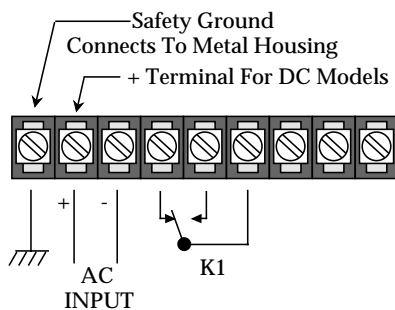


The model 4950B is an ideal bell controller for use in factories and schools. The 4950B permits programming the exact time that an event is to occur. In addition, the 4950B permits programming the interval of the programmed event from 1 to 99 seconds. This allows for the scheduling of such events as factory bells at precise times with the bells sounding for a pre-programmed length of time. Up to eight events can be scheduled for any single day with a total of fifty-six events per week. New events can be programmed for every day of the week, or the same events be programmed to repeat. A major feature of the 4950B is the smart timepiece circuit that continues keeping correct time, even when the power fails for extended periods of time. This feature assures that the 4950B will not have to be reprogrammed after every power failure. The 4950B does not require any batteries to assure this feature.

Mechanical



Wiring



Output Contact Rating Chart

VOLTAGE	LOAD TYPE	NORMALLY OPEN	NORMALLY CLOSED
AC	INDUCTIVE	2 - 30 A @ 12 - 240V AC	2 - 15 A @ 12 - 240V AC
	RESISTIVE	2 - 30 A @ 12 - 240V AC	2 - 15 A @ 12 - 240V AC
	MOTOR	1 HP @ 120V AC	1/4 HP @ 120V AC
		2 HP @ 240V AC	1/2 HP @ 240V AC
	TUNGSTEN	TV - 5 @ 240V AC	TV - 3 @ 240V AC
DC	RESISTIVE	6 A @ 277V AC	3 A @ 277V AC
		1 - 20 A @ 5 - 28V DC	1 - 10 A @ 5 - 28V DC



Solid State Timers and Controllers

Specifications

- Operating Voltage:** 12V DC (10V - 15V) @ 350mA,
12V AC (10V - 14V) 50/60 Hz. @ 350mA,
24V AC (20V - 28V) 50/60 Hz. @ 250mA,
115V AC (105V - 135V) 50/60 Hz. @ 50mA,
230V AC (208V - 240V) 50/60 Hz. @ 30mA.
- Timing Mode:** 7 day - 24 hour 56 programmable events.
- Timing Accuracy:** Time-Of-Day to ±2 minutes per month.
- Programmable Outputs:** One SPDT set of relay contacts.
- Programmable Events:** Eight (8) events per day.
- Events Control:** An event can be scheduled to turn ON the output relay based on time-of-day and programmed to remain ON for 1 to 99 seconds.
- Timing Tolerance:** Based on the scheduled and displayed time-of-day.
- Repeatability Of Event Timing:** Based on the scheduled and displayed time-of-day.
- Output Rating:** See *Output Rating Chart*.
- Dielectric Strength:** 1500 V RMS between all terminals to PC board and between all relay contacts and input voltage.
- Digital Display:** Four (4) digit red LED, 0.5 inch high characters displays, time-of-day, day-of-week, and all event schedules.
- Time-Of-Day:** Displayed and set in 24 hour format. 6:00PM = 18:00, 11:00PM = 23:00 etc.. Time-Of-Day is maintained in a smart timepiece circuit that will keep the time running for up to 10 years **without the need for batteries**.
- Program Memory:** EEPROM type maintains the programmed schedules for up to 10 years without battery backup.
- Front Panel Switches:** Tactile type keypad, 0 - 9, *, and #.
- Keypad Commands:** Enter time of day - Enter day of week - Enter event timing data - Scroll daily programmed events - Clear all memory.
- Transient Protection:** Protected by silicon transient suppressors which respond to transients within 1×10^{-12} seconds to a peak pulse power dissipation of 1500 watts, with transient surge currents to 200 amperes for durations up to 1/120 second at 25° C. Maximum transient voltage protection is 6000 volts as delivered through a source resistance of 30 ohms with a maximum duration of 8.3 milliseconds.
- Operating Temperature:** 0°C to +70°C.
- Construction:** Metal enclosure with two (2) knockout holes to facilitate wiring. Wiring terminations are located behind a front cover plate.
- Programming Handbook:** A comprehensive handbook is supplied with each model. The handbook provides all instructions, with examples, necessary to operate and program the model 4950B.
- Data Sheet Revision Date:** November 30, 2000

Ordering Information

Part Number	Operating Voltage
4950B- 12VDC	12V DC
4950B - 12VAC	12V AC
4950B - 24VAC	24V AC
4950B - 115VAC	115V AC
4950B - 230VAC	230V AC

Artisan Controls'
7 Day Programmable Timers
4950 - 4950H - 4950PM - 4951PM

